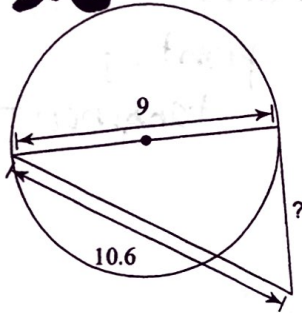


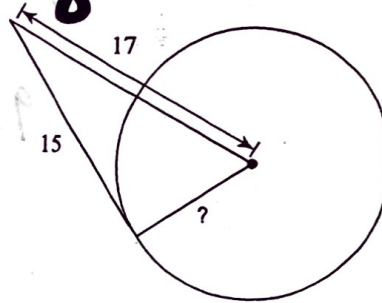
Tangents to Circles

Find the segment length indicated. Assume that lines which appear to be tangent are tangent.

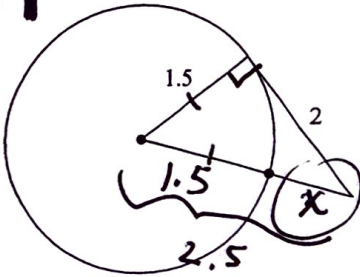
1) **5.6**



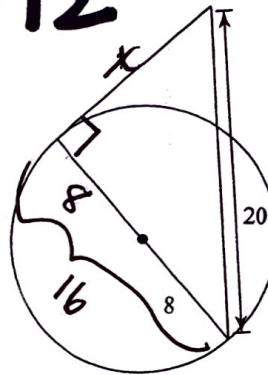
2) **8**



3) **1**



4) **12**

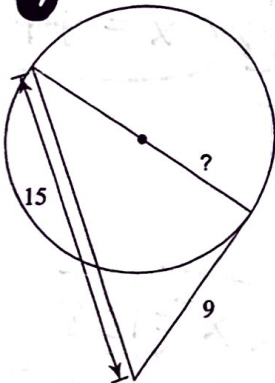


$$x^2 + 16^2 = 20^2$$

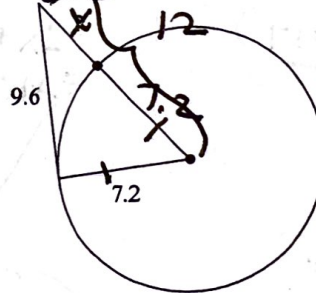
$$\sqrt{x^2} = \sqrt{144}$$

$$x = 12$$

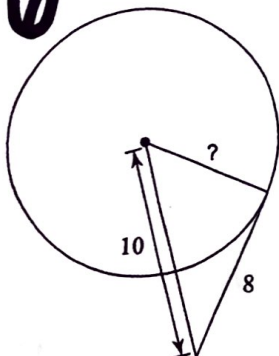
5) **6**



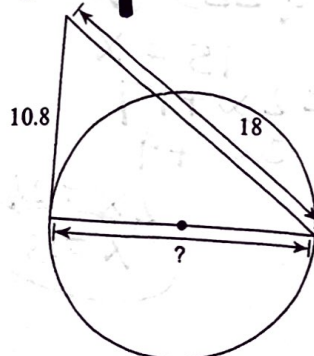
6) **4.8**



7) **6**



8) **14.4**



Solve for x . Assume that lines which appear to be tangent are tangent.

